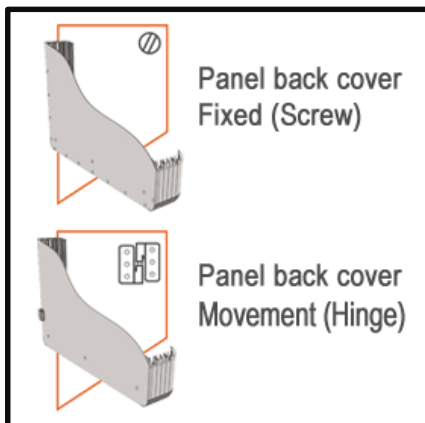




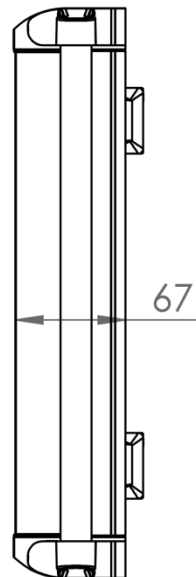
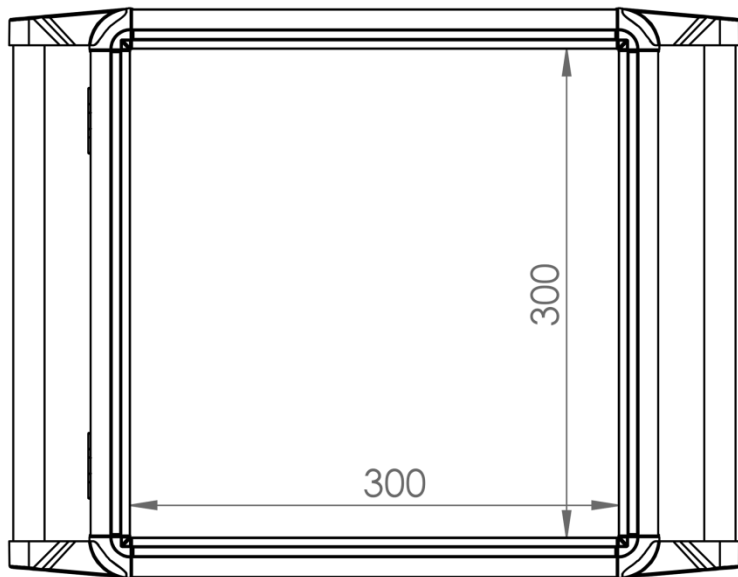
ISO9001  


ECO.6000.0200

Panel Systems



Weight (gr)	-
Color / Ral Code	Aluminium Anodized
Package	1
Package Dimension (mm)	430x380x150
Material	Aluminium



Installation Area			Back Area		Installation Depth		Support Arm No		Order No
Weight mm	Height mm	Depth mm	Hinge	Screw	H Profile installation platform	Installation Deep mm	130 mm ∅	118 x 65.5 mm 	
300	300	60	Yes	-	-	60	-	Yes	6000-0204
300	300	60	-	Yes	-	60	-	Yes	6000-0205
300	400	60	Yes	-	-	60	-	Yes	6000-0206
300	400	60	-	Yes	-	60	-	Yes	6000-0207
400	400	60	Yes	-	-	60	-	Yes	6000-0208
400	400	60	-	Yes	-	60	-	Yes	6000-0209
400	500	60	Yes	-	-	60	-	Yes	6000-0210
400	500	60	-	Yes	-	60	-	Yes	6000-0211
500	500	60	Yes	-	-	60	-	Yes	6000-0212
500	500	60	-	Yes	-	60	-	Yes	6000-0213
500	600	60	Yes	-	-	60	-	Yes	6000-0214
500	600	60	-	Yes	-	60	-	Yes	6000-0215
600	600	60	Yes	-	-	60	-	Yes	6000-0216
600	600	60	-	Yes	-	60	-	Yes	6000-0217