

ITA-5512

Intel® Atom™ E3950 Fanless Compact System; EN 50155 Compliant for Railway Applications

NEW

Fully Compliant with
EN 50155



Features

- Built-in Intel® Atom™ quad-core processor
- Fanless computer for railway vehicle compact system for rolling stock applications, fully compliant with EN 50155
- Satisfies temp. standard: EN 50155 TX (-40 ~ 70 °C) and IEC 61373 body mount class B
- Compliant with EN 50121-3-2 EMC test standard
- Supports Easy-swap SSD module
- Optional DC 24V/48V/72V/110V Input
- Support Ingress Protection 65

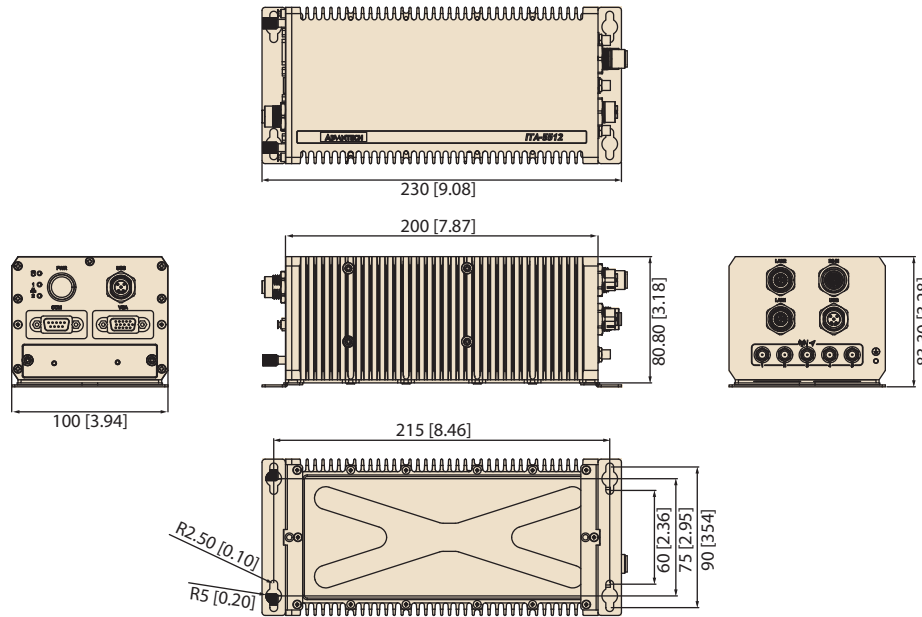


Specifications

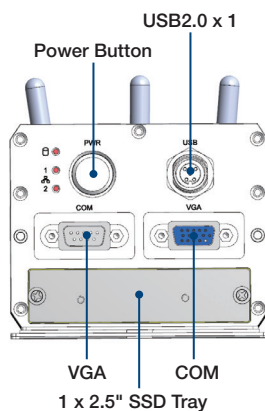
Processor System	CPU	Intel® Atom™ X7-E3950 quad-core processor, TDP 12W	
	Max Speed	Up to 2.0 GHz	
	L2 Cache	2MB	
	BIOS	AMIR SPI 64 Mb	
Memory	Technology	on board 4G memory, DDR3L 1866MHz	
	Capacity	Up to 8GB	
Graphics	Chipset	Intel® HD Graphics 505	
	Display ports	1 x VGA	
Ethernet	Controller	2 x Intel® I210-IT	
	Interface	10/100/1000 Mbps	
	Connector	2 x M12 X-coded(F)	
Storage	SSD/SSD	1 x 2.5" SSD	
	mSATA	1 x mSATA slot on M/B	
Others	GPS	1 (optional)	
Front I/O	USB	2 x USB2.0 with M12 A-coded	
	Serial Port	1 x DB9, RS-232/422/485 with 2KV Isolation, supports auto-flow control	
	Display	1 x VGA	
Rear I/O	LAN	2 x LAN with M12 X-coded(F)	
Expansion Slots	Mini PCIe	1 x Mini PCIe and 1x M.2 with 1 x SIM slot	
Power Input	Input Voltage	DC 110V input compliant with EN50155 class S2/C1 (Optional DC 24/48/72V input)	
	Connector	1 x M12 A-coded(M) 4-pin	
Watch Dog	Output	System reset	
	Interval	Programmable 1 ~ 255 sec/min	
Environment	Temperature	Operating	Storage
		-40 ~ 70 °C	-40 ~ 85 °C
	Relative Humidity	5~ 95% @ 40 °C non-condensing	0 ~ 95% @ 40 °C non-condensing
	Maximum vibration	2Grms (5-500Hz), 1Grms (5-500Hz)	2Grms
	Maximum shock	20G w/ SSD, DOM; 10G w/ HDD	30G
Mechanical	Dimensions (W x H x D)	215 x 100 x 80 mm	
	Installation	Wall-mount by mounting bracket	
Certification	EMC	CE/FCC Class A, CCC, BSMI	
	Safety	UL, CB, CCC, BSMI	
EN50155 Compliance	Ambient Temperature	EN 50155 Tx (-40 ~ 70 °C)	
	Shock and Vibration	IEC 61373 body mount class B	
	Interruptions of Voltage Supply	Class S2	
	Supply Change Over	Class C1	
	EMC	EN 50121-3-2	

Dimensions

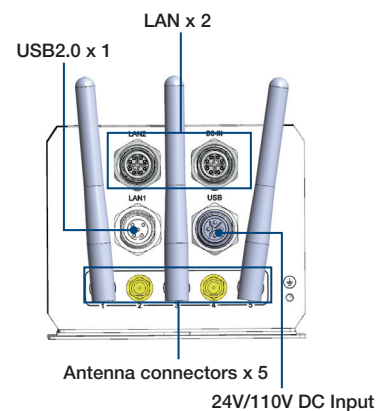
Unit: mm [inch]



Front View



Rear View



Ordering Information

product name	CPU	Memory	Ethernet (M12 X-code)	USB2.0	MiniPCle	M.2	Storage	COM	VGA	Voltage
ITA-5512-LOA1	X7-E3950	8G onboard	2	2	1	1	1	1	1	24V
ITA-5512-SOA1	X7-E3950	8G onboard	2	2	1	1	1	1	1	110V

Optional Accessories

M12 Cable (Must purchase separately)

Part Number	Description
1700023142-01	M Cable USB-A 4P(F)/Waterproof 4P(F) 10cm
1700026432-21	LAN cable: M12 x-code-> RJ45,10cm
1700029923-01	M cable plug-in 5P-5.0/Waterproof 4P 10cm